

# OFFSHORE SAILS ROLLY TASKER



## ROLL MAINSAIL AND MIZZEN MEASUREMENT SHEETS (2)

Yellow Boxes Information **SHOULD** be given

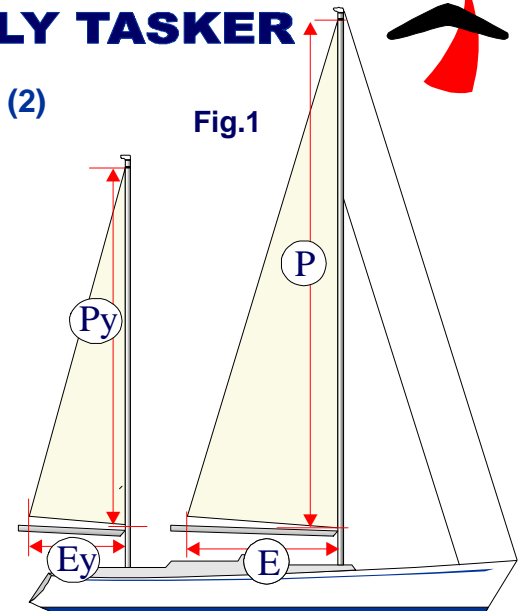
Blue Boxes Information optional

### Rig dimensions in metres:

Main: P  E

Mizzen: Py  Ey

Notes:



### Dimension of Main and Mizzen in metres:

( P Luff = max. length shackle to shackle Fig 1 and Fig 4 ) ( E Foot measured from back of R/F profile to clew ring / block Fig 1 and Fig 5 )

Mainsail: (P) Luff  (E) Foot  Weight  gr Area  m<sup>2</sup>

Mizzen: (Py) Luff  (Ey) Foot  Weight  gr Area  m<sup>2</sup>

Sailcloth: Standard is **Dacron**  or **High Aspect**  or **Cruising Laminate**

Cut: Standard is **Crosscut**  or **Two-ply Leach**  or **Bi-radial**

or **Tri-radial**  or **Crescent Cut**

Notes:

Sail Number:  No.  Flo Stripe:  Colour:

Standard: we deliver the Sail with a Clew Ring  (Fig 5)

Extra: with a Clewblock

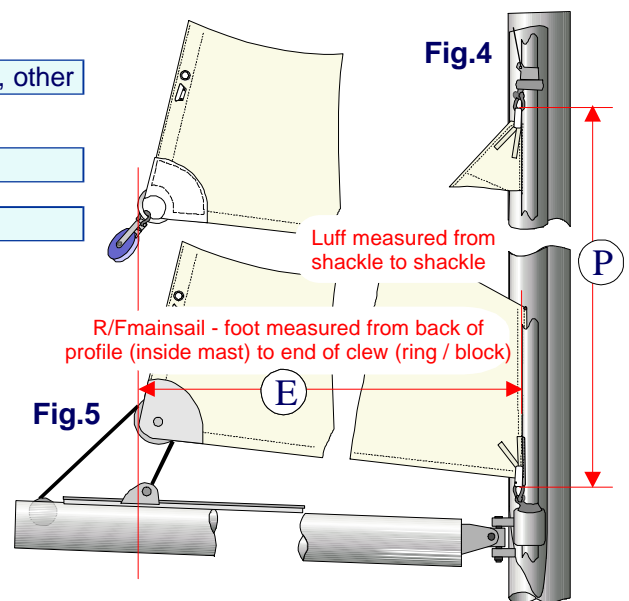
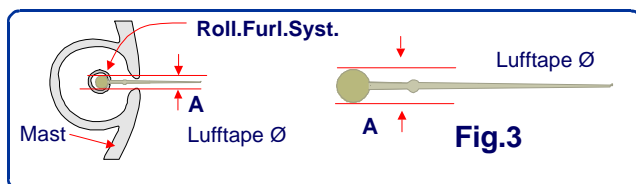
With a Clew - UV Suncover

Colour white  (or coloured)

Roller Furl System Make:

Model No.

Lufftape (boltrope) Fig. 3 diameter A=  mm



Notes:

# OFFSHORE SAILS ROLLY TASKER



**ORDER**  **DATE**

**Boat name**

**Boat type and Make**

**Length**  **Weight**

**Owner**

**Tel**  **Fax**  **e-mail**

**Address for Order Confirmation and Invoice**

**Address for sail delivery**

**Date for sail delivery**

**Other comments**

We will send you the ORDER CONFIRMATION / INVOICE and our bank details within a few days.

---

OFFSHORE SAILS Tel / Fax +34 971 23 59 81 Mobile +34 609 647 605 e-mail: abalone@oceasails.com  
Apartado 32 E 07150 Andratx Mallorca Spain www.offshoresails.com